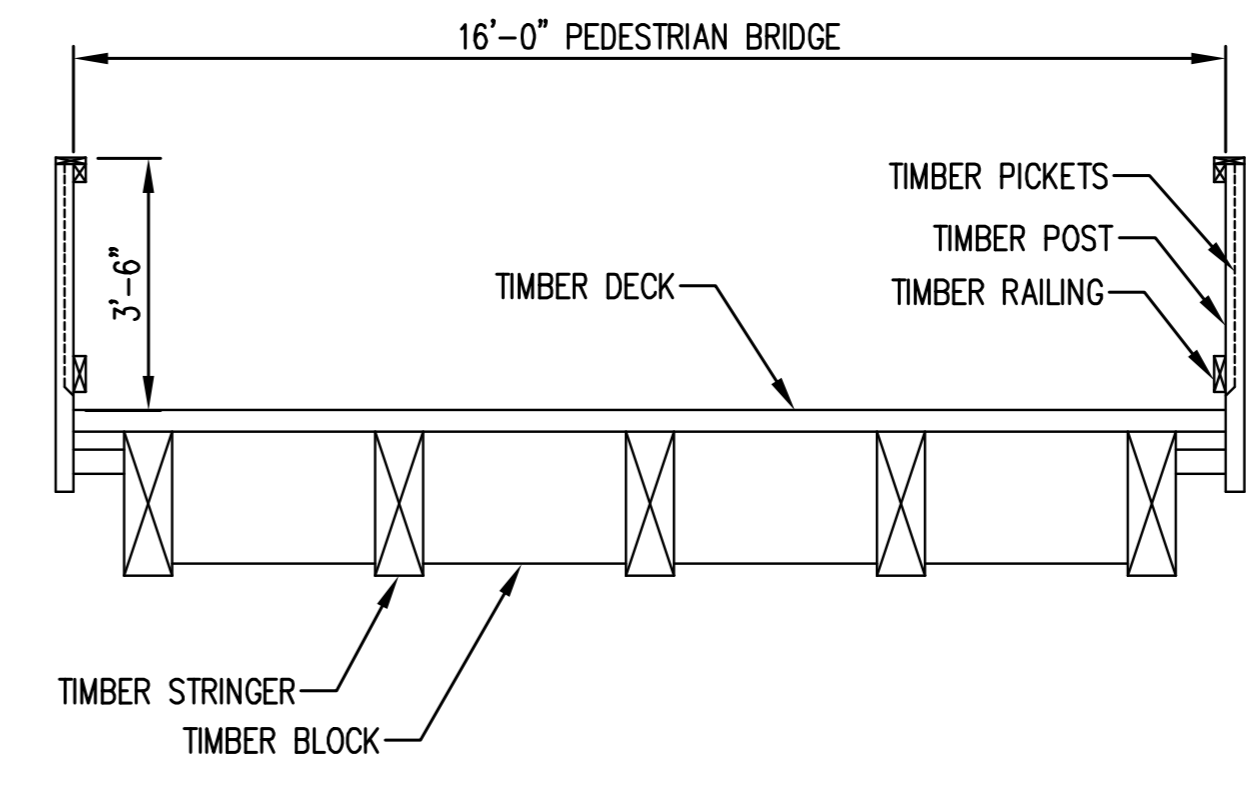
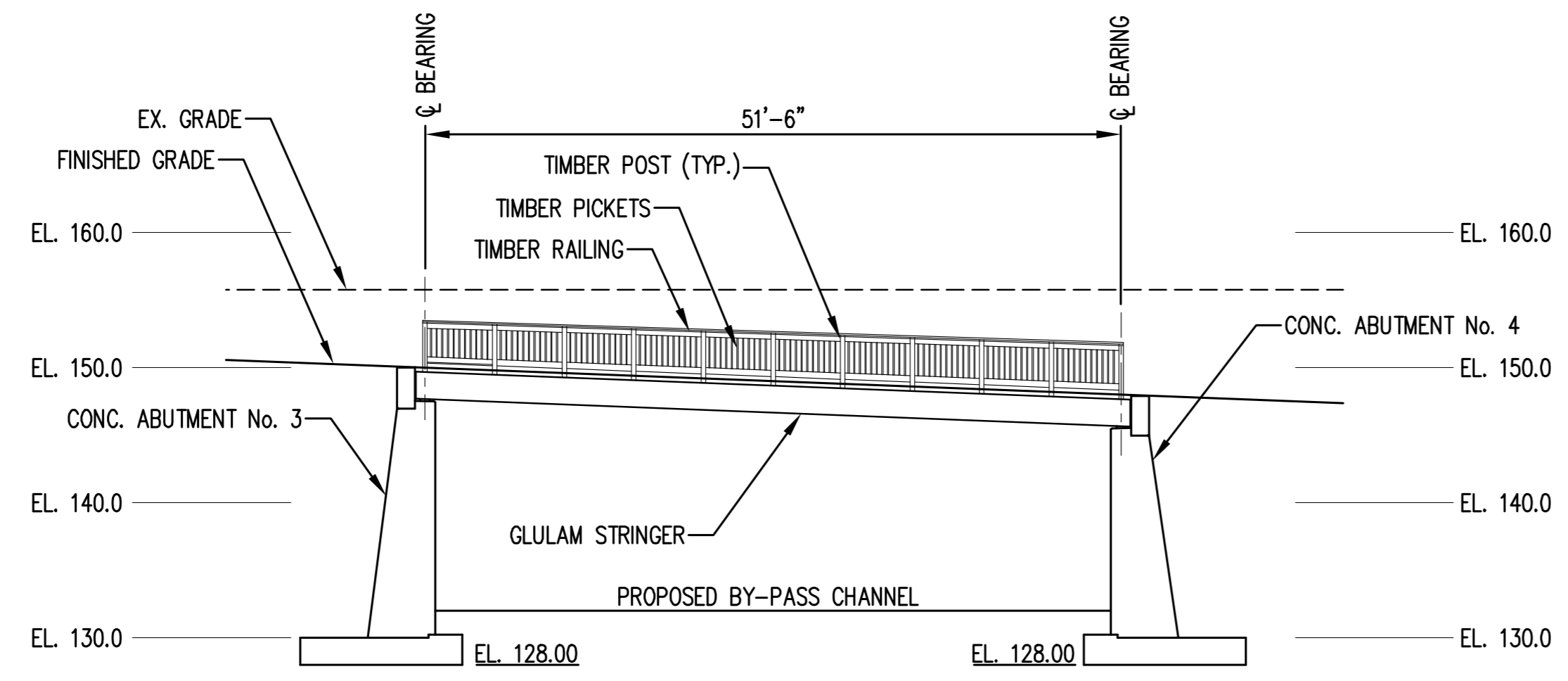


TIMBER PEDESTRIAN BRIDGE - PLAN
SCALE: 1" = 10'-0"



3 TYPICAL BRIDGE SECTION
SCALE: 3/8" = 1'-0"



ELEVATION AT B
SCALE: 1" = 10'-0"

Engineering
Landscape Architecture
and Environmental Science
MILONE & MACBROOM
99 Reilly Drive
Cheshire, Connecticut 06410
(203) 271-1773 Fax (203) 272-9733
www.miloneandmacbroom.com

REVISIONS

AUGUST 18, 2007	
SEPTEMBER 7, 2007	
OCTOBER 10, 2007	

PEDESTRIAN TIMBER BRIDGE PLAN & DETAILS
THE SHOPPES AT CHESHIRE
SPECIAL DEVELOPMENT PLAN
HIGHLAND AVENUE (ROUTE 10)
CHESHIRE, CONNECTICUT

KP DESIGNED	TEB DRAWN	JMM CHECKED
SCALE: AS NOTED		
DATE: JULY 20, 2007		
PROJECT NO. 3016-01		